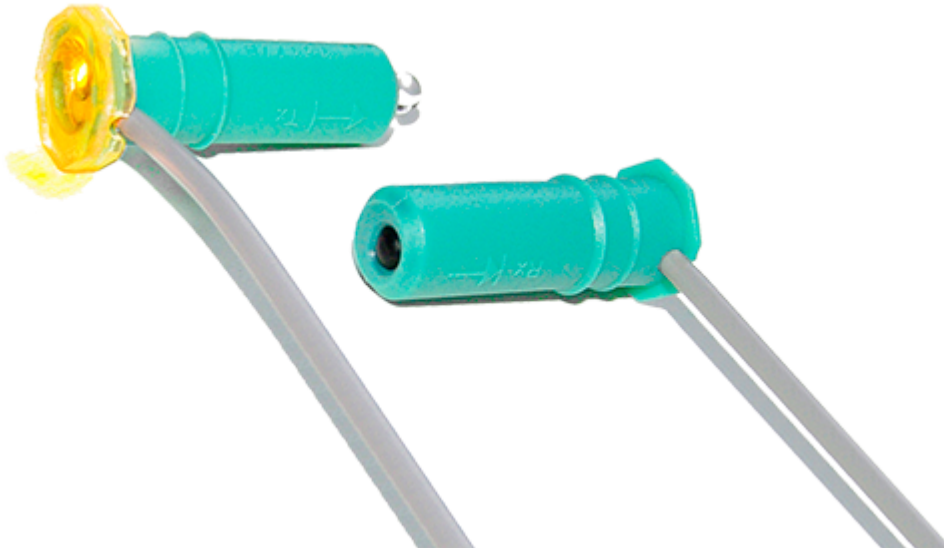


## Optical Sensing Edge (with status LED)

### OSE-S 6xxx



#### General Data

Interface	3 wire OSE
Technology	Optical Contact Edge with Status LED
Transmitter Cable Length*	0.5 m (1.6 ft) / 6.5 m (21.3 ft) / 8.5 m (27.9 ft) / 10.5 m (34.5 ft)
Receiver Cable Length*	0.5 m (1.6 ft) / 1.0 m (3.3 ft) / 3.0 m (9.8 ft) / 4.5 m (14.8 ft) / 10.5 m (34.5 ft)
Supply Voltage	4 - 28 V DC
Safety Properties	Cat. 3 PL d (EN ISO 13849-1)
MTTFd	100 years
DCav	90%
PFHd	$4.6 \cdot 10^{-8}$ / h
Maximum Operation Period	20 years
Housing Dimensions WxHxD	37x11 mm (1.46x0.43")
Operation Temperature	-20 °C to +75 °C (-4 °F to +167 °F)
Protection Class	IP68
Cable Layout	PVC / PVC, tinned ends
Version	V6 (suitable for battery systems)
Diameter	11 mm (0.43 ")
Weight	0.03 kg
Range	0.5 m - 10 m (1.6 ft - 32.8 ft)
Sealing Compound	Polyurethane (Transmitter: Grey, Receiver: Black)
Housing Material	Polyethylene

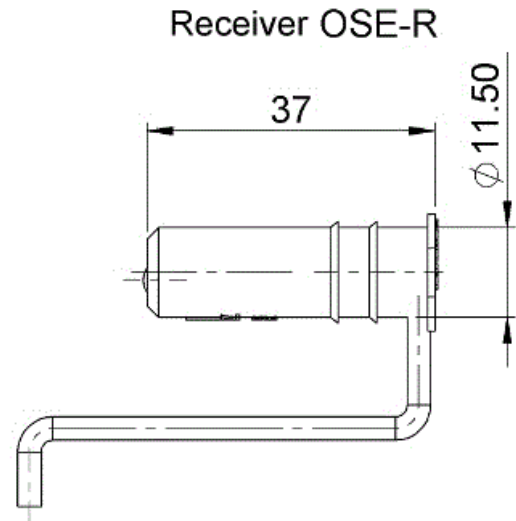
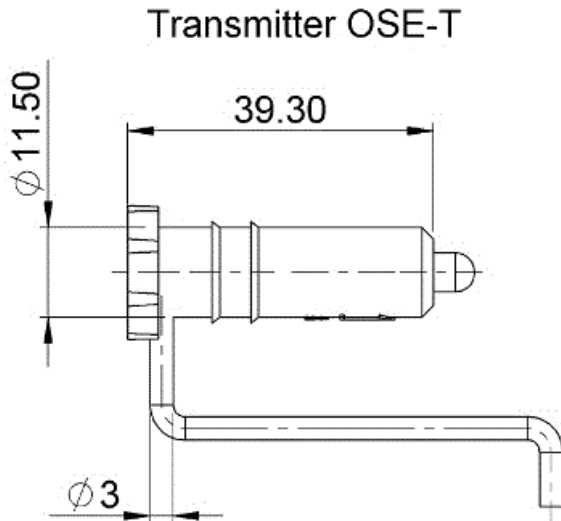
\* The cable lengths depend on the OSE types

Unit of Measure




Piece

Product Life Cycle

Established



## Compatible Controllers

	Product	Supply Voltage	Input Type of Sensing Edge
	<a href="#">OSE-C 2324</a>	24 V AC/DC	3-Wire
	<a href="#">OSE-C 2300</a>	230 V AC	3-Wire
	<a href="#">OSE-C 2301</a>	24 V DC	3-Wire



[OSE-C 2323](#) 230 V AC 3-Wire



[OSE-C 1001](#) 24 V AC/DC 3-Wire

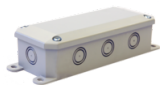
### Compatible Junction Boxes



Product	Connection Options	Housing
<a href="#">JB 1307</a>	PCB with Screw-Terminals	Small (75x40x13 mm / 2.95x1.57x0.51")



<a href="#">JB 2106</a>	Terminal Strip	Medium (90x48.5x40 mm / 3.54x1.91x1.57")
-------------------------	----------------	--



<a href="#">JB 3000</a>	Terminal Strip	Large (158x60x39 mm / 6.22x2.36x1.54")
-------------------------	----------------	--



<a href="#">JB 4400</a>	PCB with OSE Plugs or Screw-Terminals	Large (158x60x39 mm / 6.22x2.36x1.54")
-------------------------	---------------------------------------	--



<a href="#">JB 5610</a>	PCB with OSE Plugs	Medium (90x48.5x40 mm / 3.54x1.91x1.57")
-------------------------	--------------------	--

### Compatible Rubber Profiles



Product	Height	Width
<a href="#">OSE-P 14 36 04</a>	36 mm (1.42")	14 mm (0.55")



<a href="#">OSE-P 45 60 04</a>	60 mm (2.36")	45 mm (1.77")
--------------------------------	---------------	---------------



<a href="#">OSE-P 20 40 01</a>	40 mm (1.57")	20 mm (0.79")
--------------------------------	---------------	---------------



<a href="#">OSE-P 25 90 00</a>	90 mm (3.54")	25 mm (0.98")
--------------------------------	---------------	---------------

	<a href="#">OSE-P 25 75 01</a>	75 mm (2.95")	25 mm (0.98")
	<a href="#">OSE-P 25 75 00</a>	75 mm (2.95")	25 mm (0.98")
	<a href="#">OSE-P 14 36 00</a>	36 mm (1.42")	14 mm (0.55")
	<a href="#">OSE-P 15 40 00</a>	40 mm (1.57")	15 mm (0.59")
	<a href="#">OSE-P 45 60 00</a>	60 mm (2.36")	45 mm (1.77")

## Contact



CEDES AG  
sales@cedes.com

All dimension in [inch] mm. This drawing and the information contained is for general presentation purposes only. Please refer to the "Download" section for detailed technical drawings. © CEDES AG., All rights reserved. We do not assume responsibility for technical inaccuracies or omissions. Specifications are subject to change without notice.