

cegard/Smart – light curtain

Technical data

FEATURES

- ▷ Ideal for dynamic installations (mounted on cab doors)
- ▷ Suitable for center and side-opening applications
- ▷ 3 output types combined in one light curtain:
 - ▷ Push-pull output to connect to conventional elevator controllers
 - ▷ RS485 interface for CEDES Elevate cloud integration
 - ▷ FSSL output for CEDES CabSafe applications (3D entrance area monitoring)
- ▷ Meets all requirements under EN 81-20:2020
- ▷ Can replace other CEDES light curtains to enable IoT functionality



OPTICAL

Operating range	0 ... 4 m (0 ... 13.1 ft)
Protection height	1,823 mm (71.77 in)
No. of optical elements	41
No. of beams	121
Max. ambient light	100,000 Lux

MECHANICAL

Dimensions (w × h × l)	11.5 × 16 × 2,000 mm (0.453 × 0.63 × 78.74 in)
Housing material	Aluminum, black powder coated
Enclosure rating (edge and connectors)	IP65
Temperature range	-30°C ... +60°C (-22°F ... 140°F)

ELECTRICAL

Supply voltage U_{SP}	10 ... 30 VDC
Typ. current consumption at 24 VDC	< 60 mA (without load)
Outputs	Push-Pull, RS485, FSSL (*)
Push-Pull output logic	NO + NC
Output voltage	0.9 × U_{SP}
Max. output load (Push-Pull)	100 mA, 100 nF
Typ. response time	< 110 ms
Termination of RS485	120 Ω (internally)
Baud rate	230,400 bit per second
Output frequency FSSL	2 kHz / 1 kHz

Emitter (Tx) indicator LED

Indicator LED 1	Red ON	Power
-----------------	--------	-------

Receiver (Rx) indicator LEDs

Indicator LED 1	Red ON	Power
Indicator LED 2	Red ON	Object detected
Indicator LED 2	Red OFF	No object detected

(* FSSL = Frequency safety signal)

CONNECTION CABLE AND ELECTRICAL CONNECTION

Length	5 m (16.4 ft)
Connection	M8, 6-pin, Ø10 mm (0.394 in)
Diameter	Ø 4.2 mm (0.165 in)
Material	PVC, black
Plug color	
- Tx	White
- Rx	Blue
Wires	AWG26
• brown	USP
• blue	GND (0 V)
• black	Tx: Selector Rx: Out
• white	Sync
• green	RS485 Channel 1 A
• gray	RS485 Channel 2 B

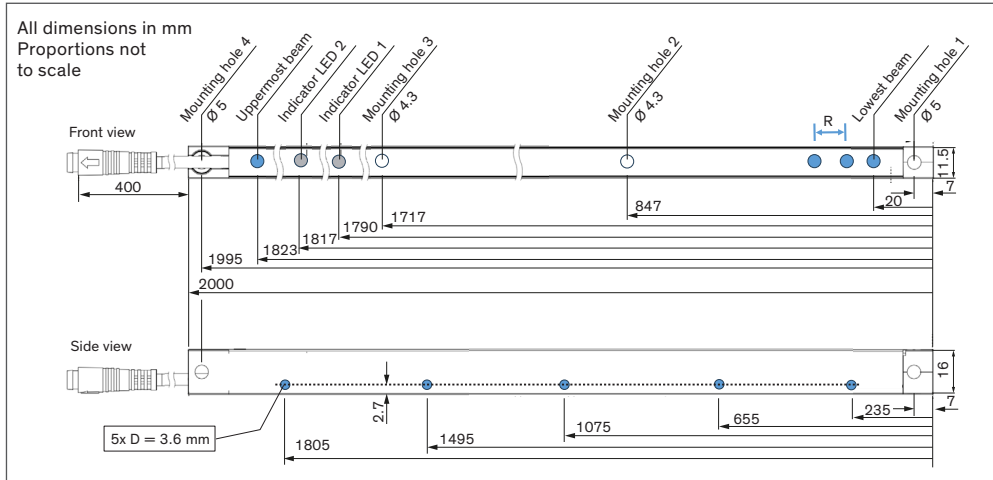
GENERAL

EMC emission	EN 12015:2021
EMC immunity	EN 12016:2013, 22200:2009
Vibration	IEC 60068-2-6:2007
Shock	IEC 60068-2-27:2008
Cable durability	IEC 60227-2:2003
RoHS	2011/65/EU
Certificates	
- Europe	CE; EN 81-20:2020
- USA / Canada	cCSAus; CSA B44.1:19 / ASME A17.5-2019

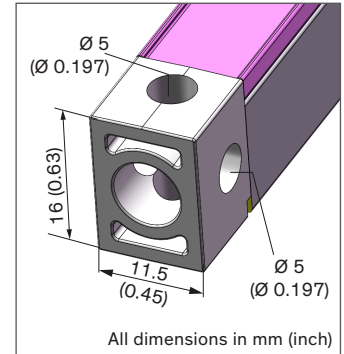


CEDES AG is certified according to ISO 9001: 2015.

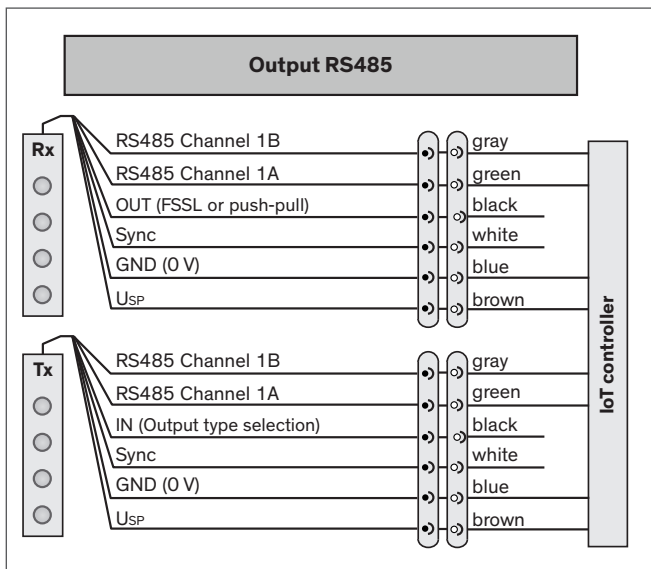
Dimensions



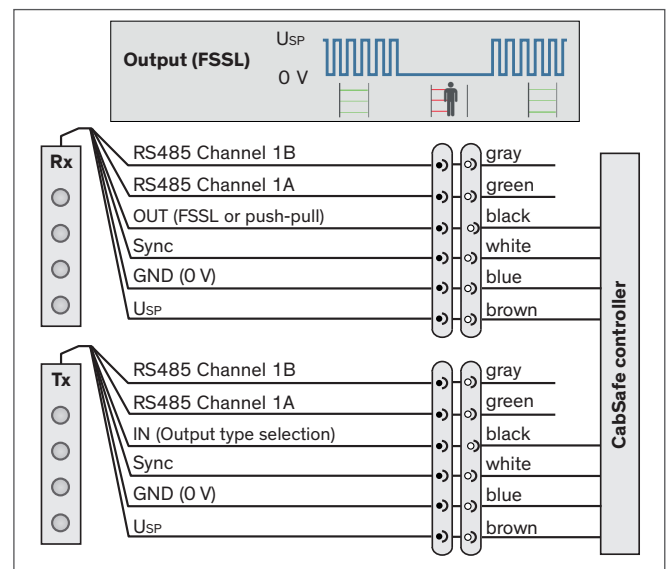
Detailed view



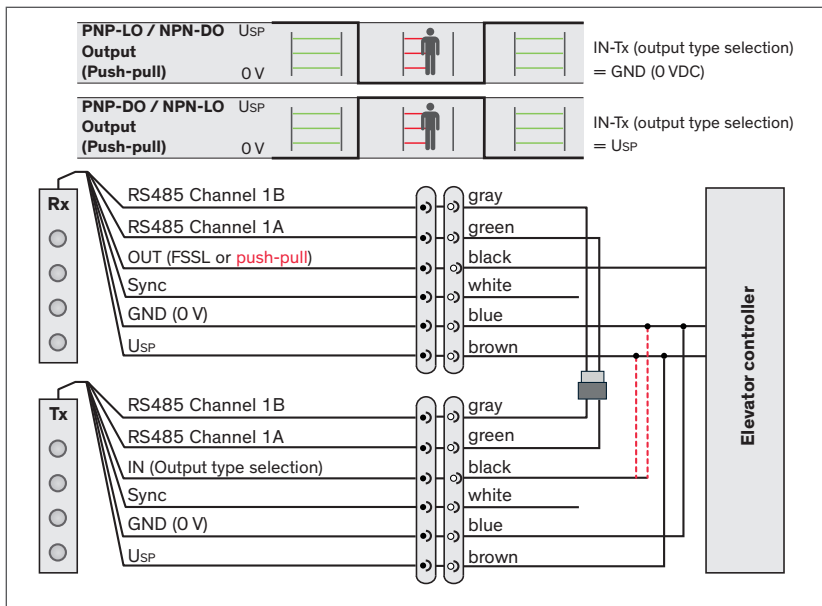
IoT output



FSSL output



Push-pull output



Application

